



KAFFE  
FASSETT  
COLLECTIVE

for

*Free Spirit*

# Wayfarer Tote- Bright

Featuring Kaffe Fassett Collective Fall 2016

Whether you're trekking to your favorite flea market or to markets around the world, this roomy tote is sure to hold all your treasures. The long shoulder strap makes for easy cross-body wearing—an added safety and comfort feature.

**Collection:** Kaffe Fassett Collective Fall 2016

**Technique:** Piecing, Sewing

**Skill Level:** Intermediate

**Crafting Time:** Weekend\*

**Finished Size:** 17" x 31" (43.18cm x 78.74cm)

\*Crafting time based on Intermediate skill level

  
Make it COATS

# Wayfarer Tote-Bright



Project designed by Linda Turner Griepentrog

## Fabric Requirements

DESIGN	COLOR	ARTICLE CODE	YARDAGE
(A) Shanty Town	Summer	PWBM047.SUMME	¼ yard (22.86cm)
(B) Persian Garden	Orange	PWGP160.ORANG	⅜ yard (34.29cm)
(C) Rolled Papers	Red	PWGP158.REDXX	1¼ yard (1.14m)
(D) Maple Stream	Red	PWPJ080.REDXX	¼ yard (22.86cm)
(E) End Papers	Red	PWGP159.REDXX	⅓ yard (11.43cm)
(F) Sprial Shells	Gold	PWPJ073.GOLDX	⅓ yard (11.43cm)
(G) Puzzle	Red	PWBM057.REDXX	⅓ yard (11.43cm)
(H) Pods	Rose	PWBM054.ROSEX	⅓ yard (11.43cm)
(I) Striped Heraldic	Red	PWGP153.REDXX	⅓ yard (11.43cm)
(J) Tree Fungi	Pink	PWPJ082.PINKX	⅓ yard (11.43cm)
(K) Shoal	Black	PWBM051.BLACK	⅓ yard (11.43cm)



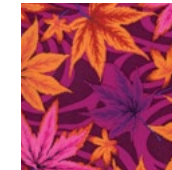
(A)



(B)



(C)



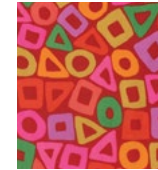
(D)



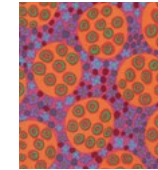
(E)



(F)



(G)



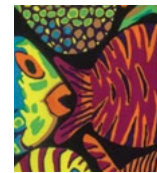
(H)



(I)



(J)



(K)

## Additional Requirements

- Coats Dual Duty® All-purpose thread to match fabrics
- Coats® Metallic Gold thread
- 1 yard (.91m) single-sided fusible foam stabilizer
- (2) 3" (7.62cm) tassels
- Metallic or Embroidery needle, size 14
- Tote pattern
- Sewing machine
- Basic sewing and pressing supplies



Seam Topstitching



# Wayfarer Tote-Bright



## Preparation

Tape together the pieces for the tote pattern and cut out.

## Cutting

WOF=Width of Fabric  
Cut pieces in order shown.

### Fabric A, fussy-cut:

(2) 6" x 19½" (15.24cm x 49.53cm), for straps

### Fabric B, cut:

(2) 7½" x 10" (19.05cm x 5.40cm), for straps

### Fabric C, cut:

(2) Tote Body pieces, for lining  
(2) 6" (15.24cm) squares, for straps  
(2) 6½" (16.51cm) squares, for inside pocket

**Note:** Pocket finishes 6" [15.24cm] square. Resize if desired for your particular needs.

### Fabric D, cut:

(1) 6" x 7" (15.24cm x 17.78cm), for handle wrap

### Fabrics E-K, and the remainder of Fabrics A-D, cut:

Assorted strips 14" (35.56cm) long and 1"-2" (2.54cm-5.08cm) wide

**Note:** You will need enough strips for two finished rectangles 14" x 19½" [35.56cm x 49.53cm].

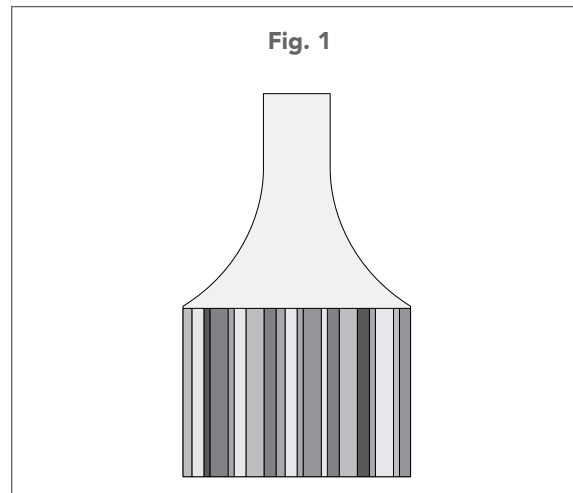
### Fusible Foam, cut:

(2) Tote Body pieces

## Sewing

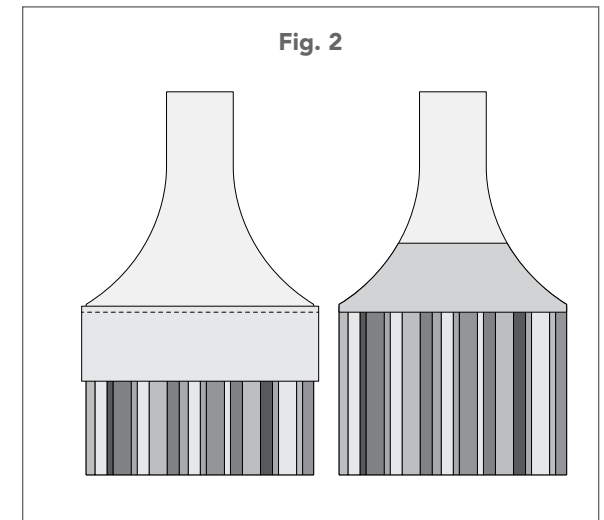
**Note:** All seam allowances are ¼" (.64cm) and pieces are sewn right sides together, unless otherwise noted.

1. Randomly sew together the long edges of the 14" (35.56cm) **Fabric A-K** narrow strips to make (2) rectangles at least 19½" (49.53cm) wide. Press seams open.
2. Layer the pieced rectangle over the foam tote body, adhesive side up, matching lower edges. Following the manufacturer's instructions, fuse the rectangle in place (**Fig. 1**). Repeat for the other tote body piece. Trim edges to match the foam.



3. Topstitch some or all of the strip seams using metallic thread and either a decorative or straight stitch.
4. Place the long edges of the **Fabric A** strip right sides

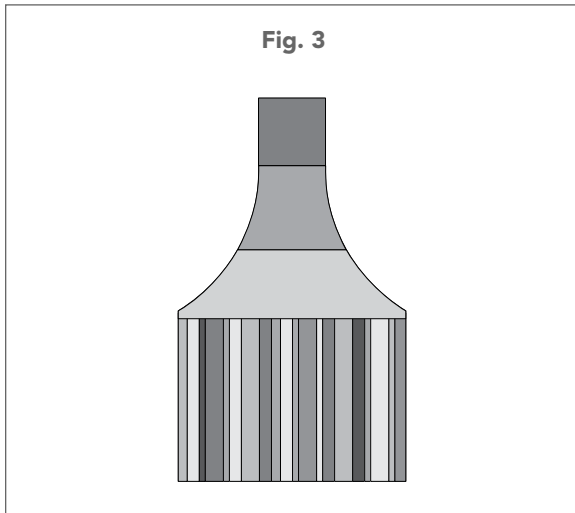
together along the upper edge of the pieced strips. Sew along the length of the rectangle (**Fig. 2**). Flip the piece up and fuse in place. Trim to match the foam tote edges.



# Wayfarer Tote-Bright

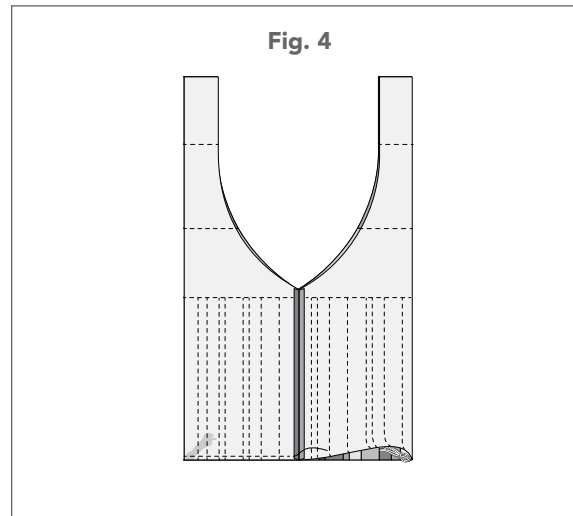


- Following step 4, repeat to center, sew, flip, and fuse the 7½" x 10" (19.05cm x 25.40cm) **Fabric B** rectangle above the **Fabric A** panel, and the 6" (15.24cm) **Fabric C** square above **Fabric B** (Fig. 3) to complete the tote half. Repeat for the opposite tote side.



- Topstitch the horizontal sectional seams using metallic thread and either a decorative stitch or straight stitching.
- Lay the halves of the tote right sides together and sew one center seam. Press the seam open. Topstitch the seam using metallic thread and either a decorative or straight stitch.
- Sew the remaining tote center seam, press, and topstitch in the same manner.

- Lay the center seams on top of each other and sew the tote bottom seam, inserting the tassel header snugly into each corner (Fig. 4). Stitch over the tassel areas twice to reinforce.



## Lining Assembly

- Place the (2) 6½" (16.51cm) **Fabric C** squares right sides together and sew around the edges, leaving a 2" (5.08cm) opening in the lower edge for turning. Trim the corners, press the seams open and turn the pocket right side out through the opening. Poke out the corners.
- Sew one center seam in the **Fabric C** tote lining. Center the pocket over the seam 1¾" (4.45cm) below the upper edge. Edgestitch around three sides of the pocket, leaving the upper edge open, and closing the lower edge opening.

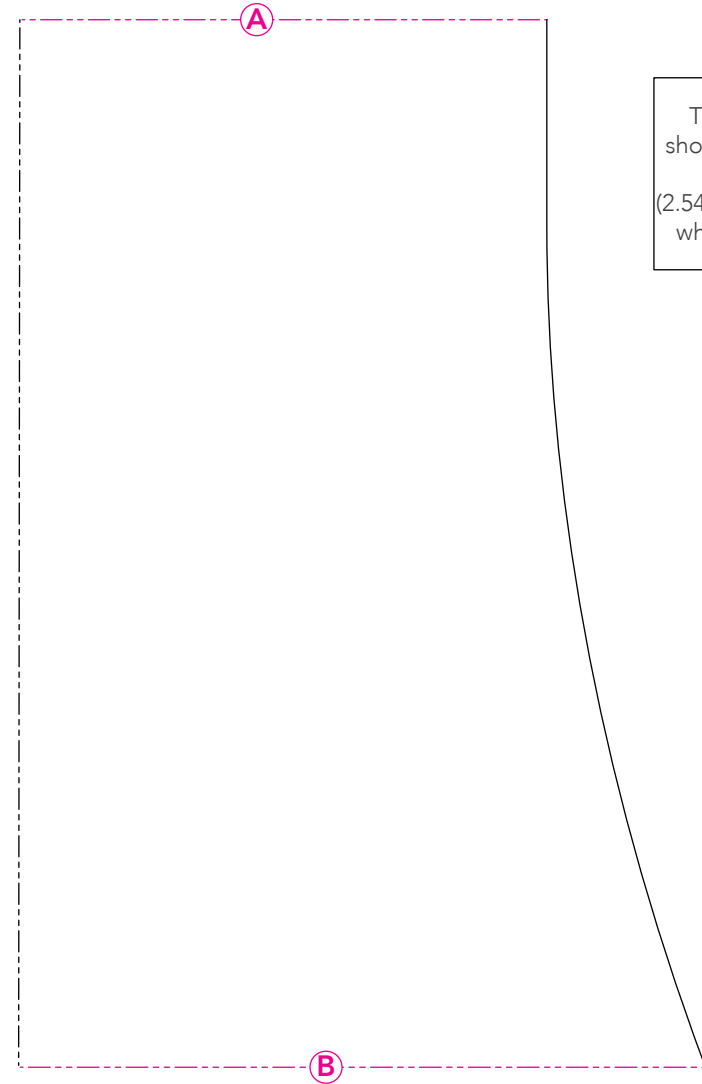
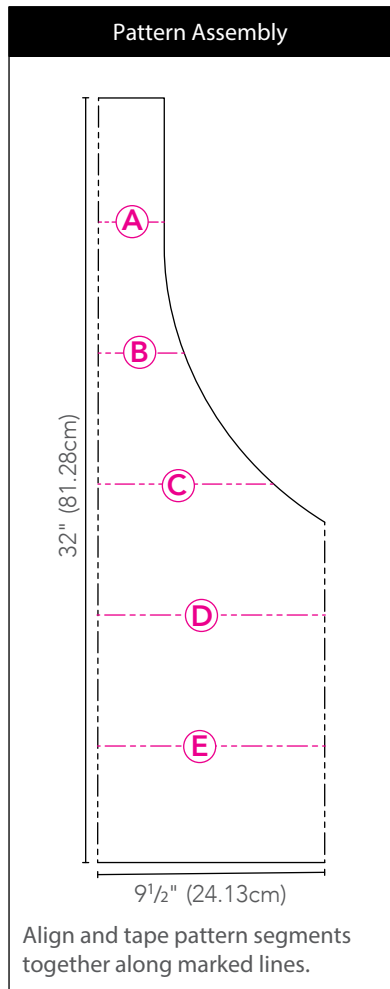
- Sew the other center lining seam and press the seam open.
- Lay both center seams on top of each other and sew the bottom seam, leaving a 6" (15.24cm) opening for turning.

## Finishing

- With right sides together, slide the lining over the tote, matching all raw edges.
- Sew the tote and lining together along the curved edges, leaving the short straight handle ends unstitched. Trim the seam allowances and clip the curves. Turn the tote right sides out and firmly press the edges, tucking the lining into the bag.
- Topstitch the strap edges ¼" (.64cm) from the edge and pivoting at the lower V opening above the center seam.
- With lining sides together, stitch the straight handle edges together through all layers, being careful not to twist them. Pleat the handle upper center to make a finished width of 2" (5.08cm). Sew the pleat in place.
- Stitch the lining opening closed.
- To make the handle wrap, fold the 6" x 7" (15.24cm x 17.78cm) **Fabric D** rectangle in half and sew the short edges together. Turn and press.
- Wrap the rectangle tightly around the center of the handle, turn under the outer end and hand-stitch in place.



# Wayfarer Tote-Bright

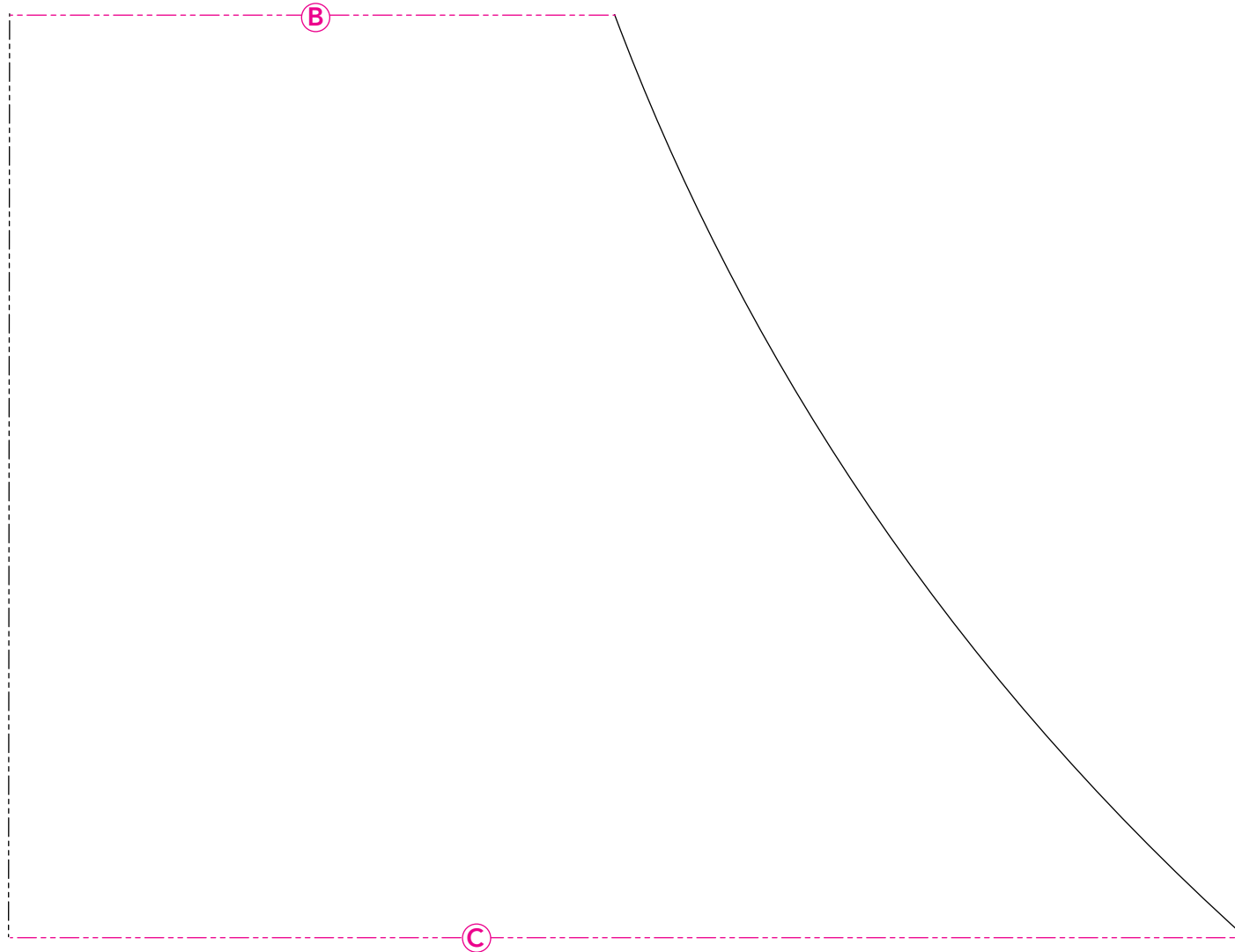


This square should measure 1" x 1" (2.54cm x 2.54cm) when printed.

\*\*\* Measure templates before cutting to confirm printing at 100%\*\*\*



# Wayfarer Tote-Bright

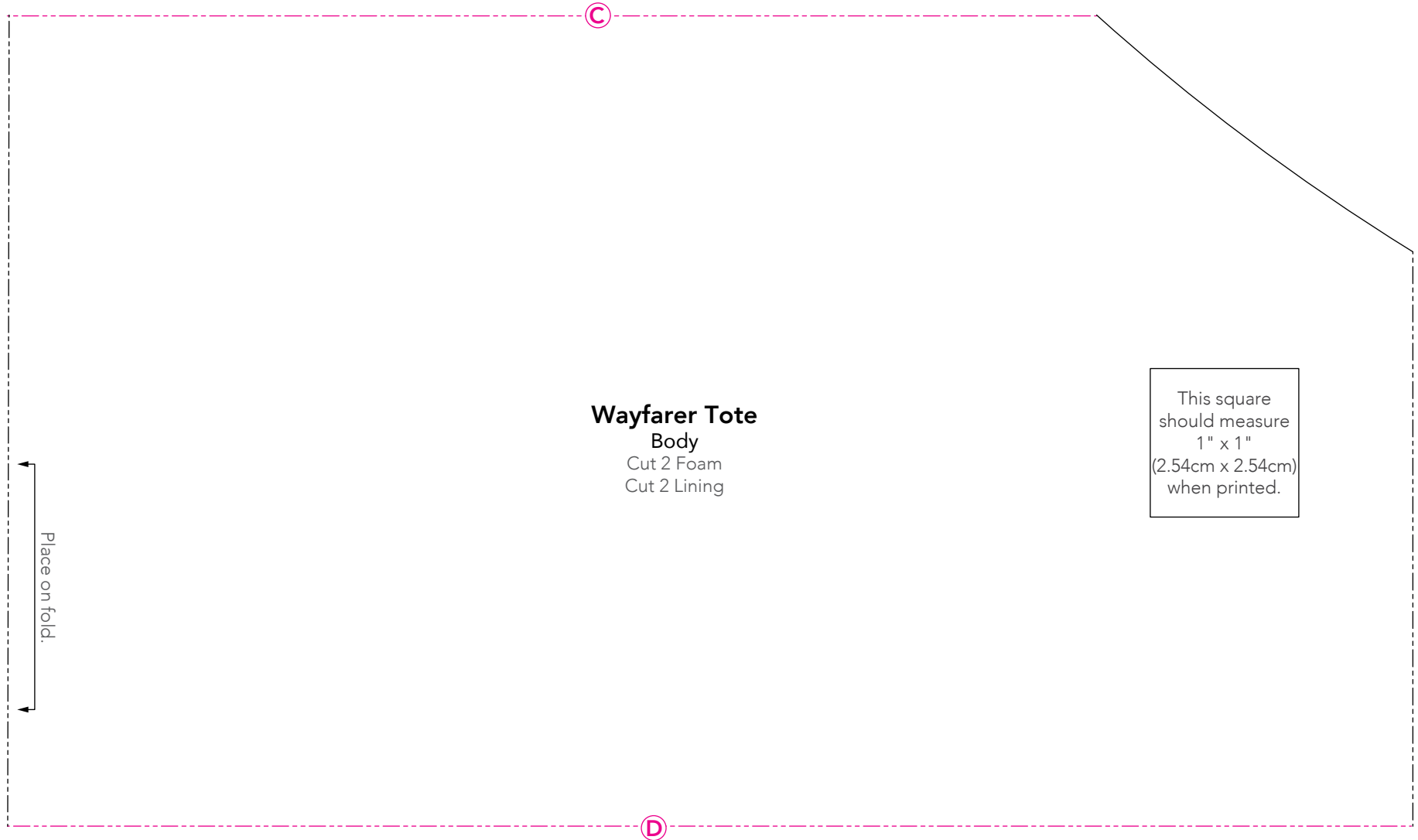


This square should measure 1" x 1" (2.54cm x 2.54cm) when printed.

\*\*\* Measure templates before cutting to confirm printing at 100%\*\*\*



# Wayfarer Tote-Bright



## Wayfarer Tote

Body

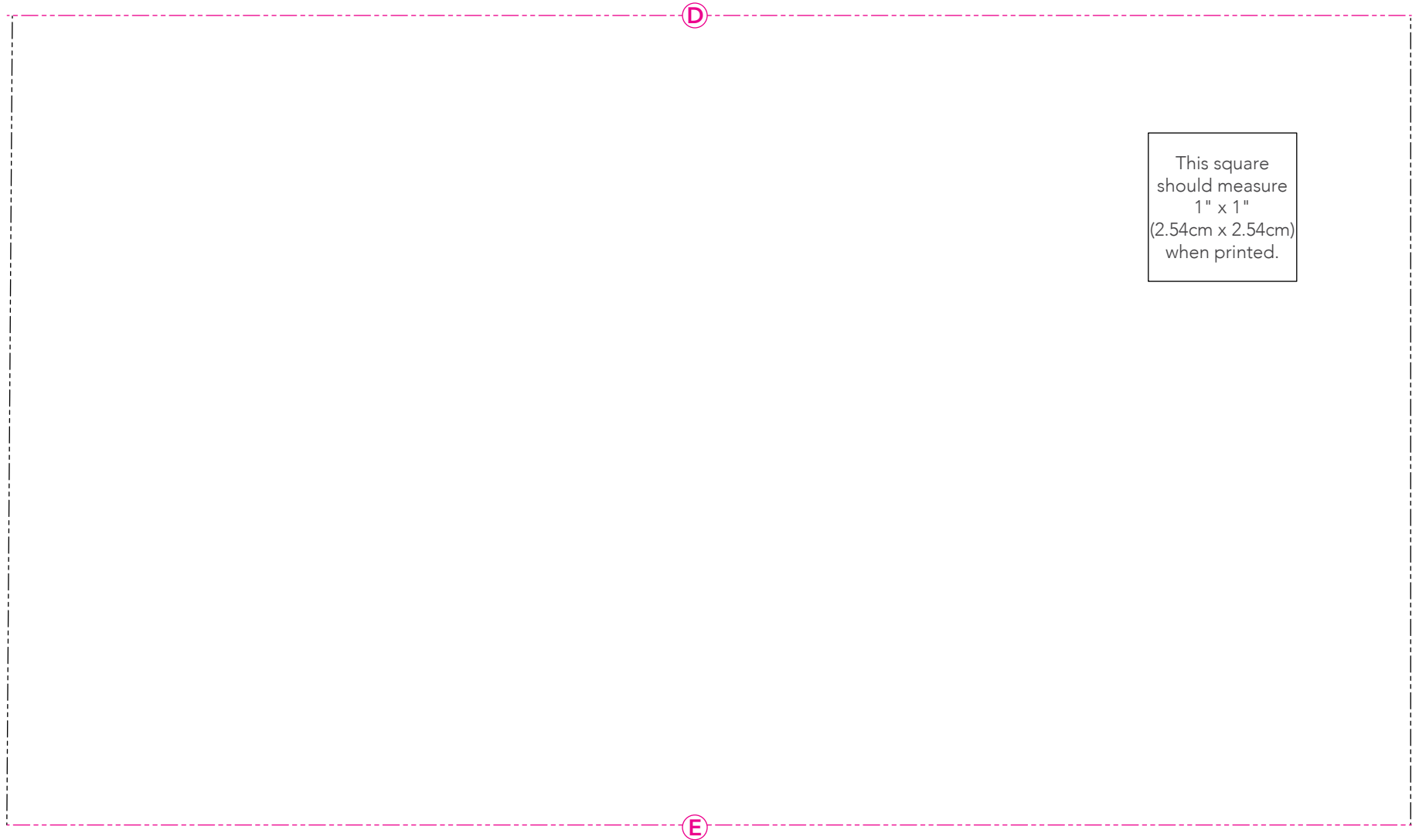
Cut 2 Foam  
Cut 2 Lining

This square  
should measure  
1" x 1"  
(2.54cm x 2.54cm)  
when printed.

\*\*\* Measure templates before cutting to confirm printing at 100%\*\*\*



# Wayfarer Tote-Bright

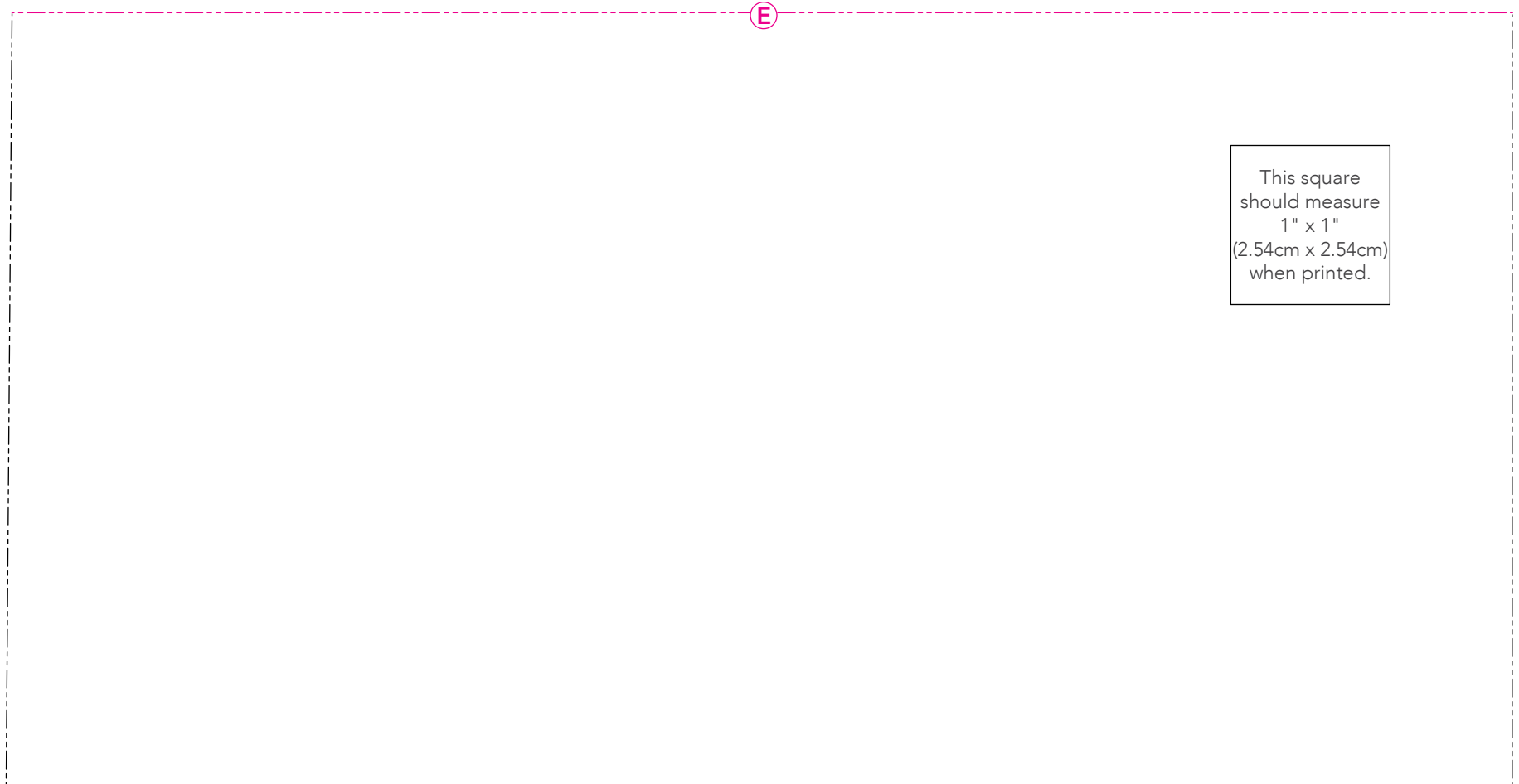


\*\*\* Measure templates before cutting to confirm printing at 100%\*\*\*





# Wayfarer Tote-Bright



\*\*\* Measure templates before cutting to confirm printing at 100%\*\*\*

